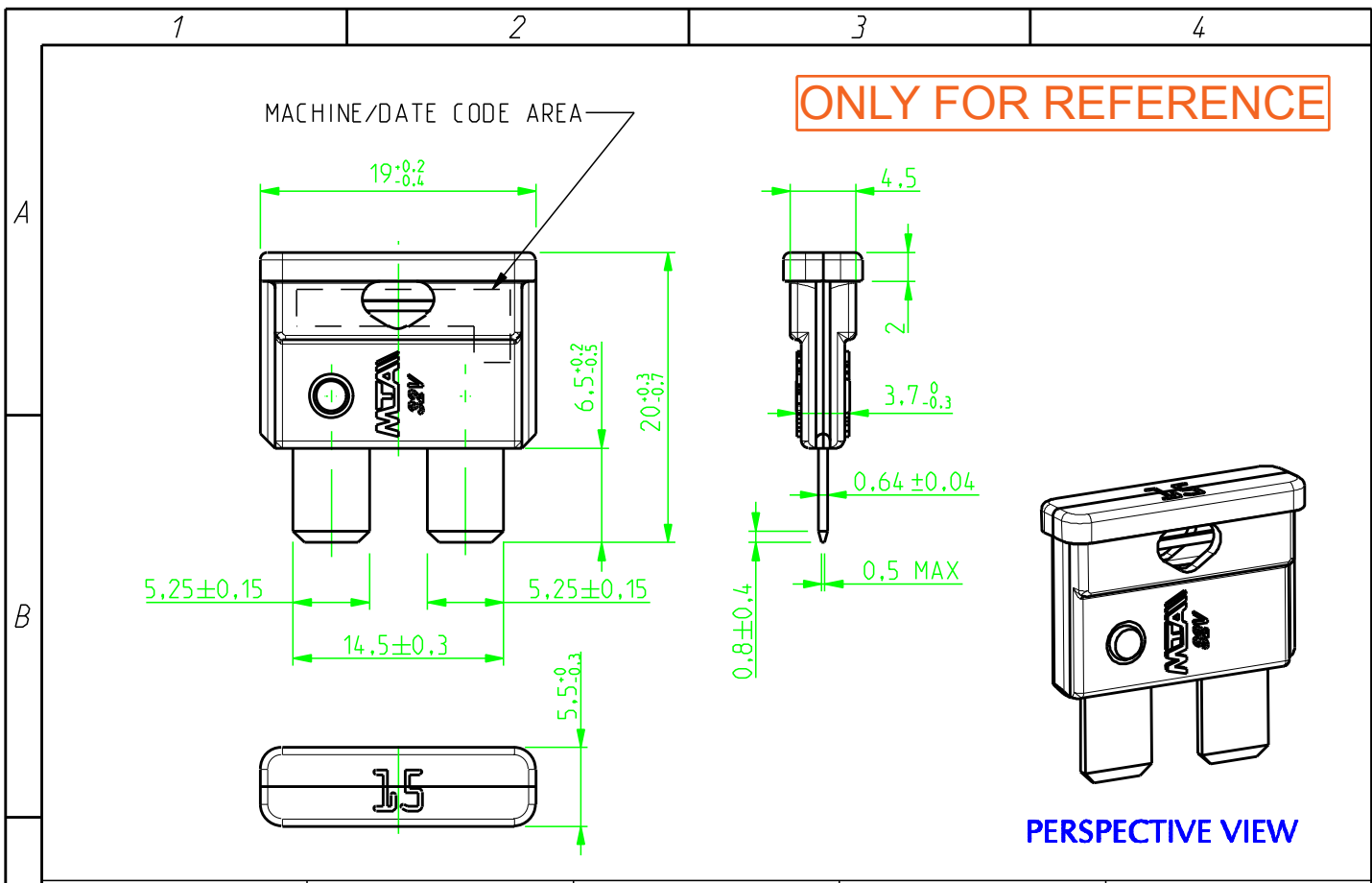


All proprietary rights reserved by MTA S.p.A. - This drawing shall not be reproduced, or in any way utilized, for the manufacture of the component or unit herein illustrated and must not be released to other parties, without written consent. Any infringement will be legally pursued.



C	0700375/20	40	ORANGE	PBT-GF20	Zinc
	0700370/20	30	GREEN		
	0700360/20	25	WHITE		
	0700350/20	20	YELLOW		
	0700340/20	15	BLUE		
	0700330/20	10	RED		
	0700320/20	7.5	BROWN		
	0700310/20	5	BEIGE		
	0700301/20	4	PINK		
	0700300/20	3	VIOLET		
	0700390/20	2	GREY		
	0700380/20	1	BLACK		
	<b>MTA P/N</b>	<b>AMP.</b>	<b>COLOR</b>	<b>SHELL MATERIAL</b>	<b>BLADES MATERIAL</b>

		MTA P/N	0700380/20		Denom.		UNIVAL FUSES VIEWING APERTURES		
Rel. Level		Approved	Draw No.	B0-003.017A		Used for		Relevant Standard	
Draft.		Date	Name	Scale	Weight(g)	Lin.Tol.±	Ang.Tol.±	Material	
Chk.		21.10.93	M.CORBANI	2:1	1.4	0.5	-	SEE TABLE	
PQApp.		21.10.93	M.CORBANI	A4		Dimensions in (mm)	Sheet	Coating	
App.		13.02.07	R.GONZALEZ					Color	SEE TABLE
		14.02.07	M.CORBANI						

5	TOP WINDOW ELIMINATED AND UPDATING STAMPING					
No.	Reason for Revision	Date	28.07.05	Name	A.CAPELLI	0+