



ADVANTAGES

Integrated keypad with six illuminated momentary push button switches, which can offer up to three functional indicators per button.

KEYPAD MODULE

APPLICATIONS

Agricultural & Construction Machinery

- Tractors
- Balers
- Sprayers
- Manure Distributors
- Harvesters
- Excavators
- Wheel Loaders

- Cranes
- Dump Trucks

Material Handling

- Fork Lifts

Recreational Vehicles

- Side by Sides
- Snowmobiles
- Motorcycles
- ATVs

Other

- Generators
- Military
- Trucks
- Buses

PRODUCT FEATURES

1. **KEYPAD:** backlit push buttons with up to three functional indicators per button.
2. **RUGGEDIZATION:** designed and developed to withstand harsh environments, all while maintaining an IP69K/IP67 seal (see chart for detailed specs).
3. **COMPACT DESIGN:** slim profile design allows optimal placement within tight quarters.
4. **DIAGNOSTICS:** built-in diagnostics.

SPECIFICATIONS

Supply Voltage	7.6 to 32 V DC
Communication	CAN bus J1939
Baud (kbps)	250/500
IP Rating	69K/67
Length (mm) x Width (mm)	87,9 x 54
Profile (mm ²)	4,746
Keypad Buttons	6
Indicators per Button	3
Operating Temperature	-40°C : 85°C
Mounting Style	Threaded Inserts

ON REQUEST

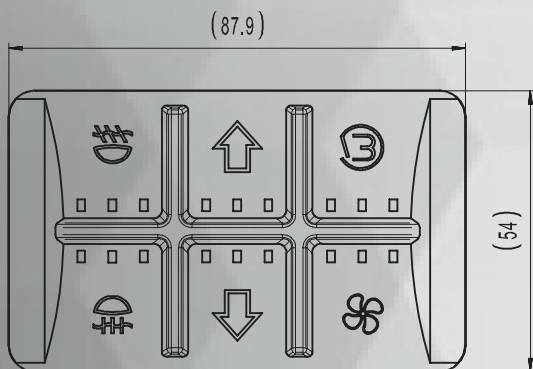
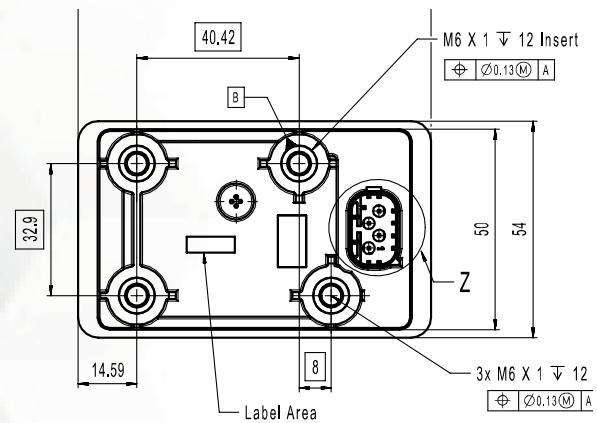
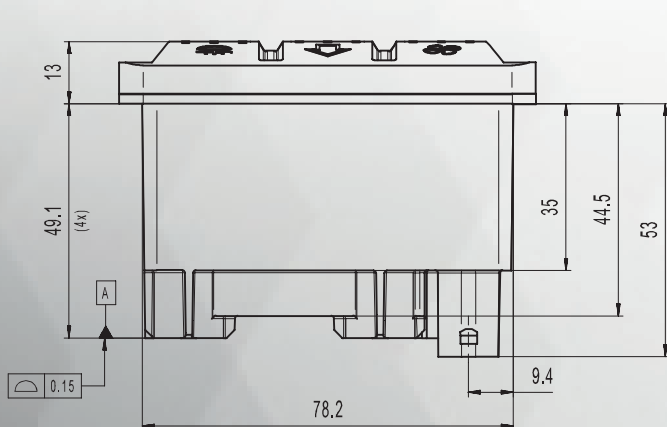
Industrial design customization
Symbol or indicator location change
Indicators or component color change

VARIANTS

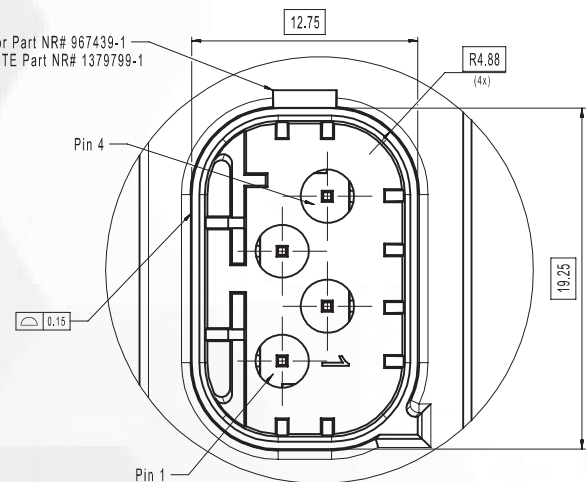
Rotary module and keypad module

DRAWINGS

(Dimensions in mm)



TE Conector Part NR# 967439-1
Mates with TE Part NR# 1379799-1



Technical changes reserved. Dimensions are not binding.
Detailed specifications available on request.

Pin No.	Circuit
Pin 1	Switched Battery
Pin 2	Ground
Pin 3	CAN H
Pin 4	CAN L