



ADVANTAGES

- User-friendly
- High degree of individualization
- Easy integration into vehicle architecture
- Extensive illumination options
- Suitable for harsh environments

CENTRAL CONTROL UNIT

EXAMPLES OF APPLICATION

- Commercial vehicles
- Agricultural machinery
- Construction machinery
- Material handling
- Municipal vehicles
- Utility vehicles
- Recreational vehicles
- Electric vehicles
- Boats & ships

PRODUCT FEATURES

- Jog dial with four-way tilt function, six buttons for quick access
- Based on CAN J1939 interface
- Design and functional range adjustable to customer requirements
- With dust and water protection (IP 66)
- Flexible RGB LED lighting
- Character recognition optionally (on request)

SPECIFICATIONS

Supply voltage	12 / 24 V DC (9 – 36 V DC)
Power consumption sleep mode	< 300 µA at 12 V DC
Life endurance	
Pushbuttons	
➤ Push	200,000 actuations
Jog dial	
➤ Push	1,000,000 actuations
➤ Rotate	1,000,000 actuations (360°)
➤ Tilt	250,000 actuations in each direction
Operating temperature	-40 °C ... 85 °C
Storage temperature	-40 °C ... 85 °C
Connector	4-pin MQS
Protection type	IP 66
CAN protocol	J1939 (other protocols upon request)
Symbol illumination	Flexible (RGB-LEDs)
Mounting	3 threaded bars M6

ON REQUEST

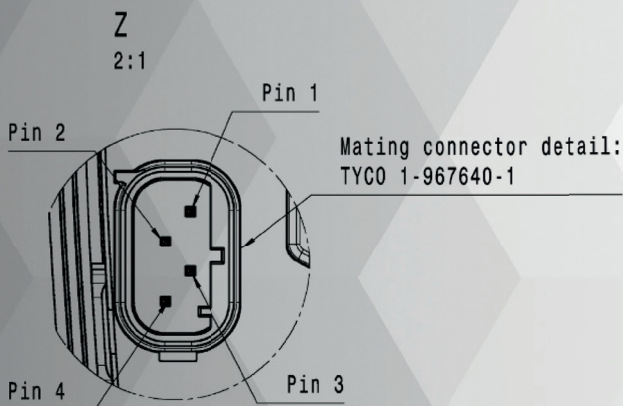
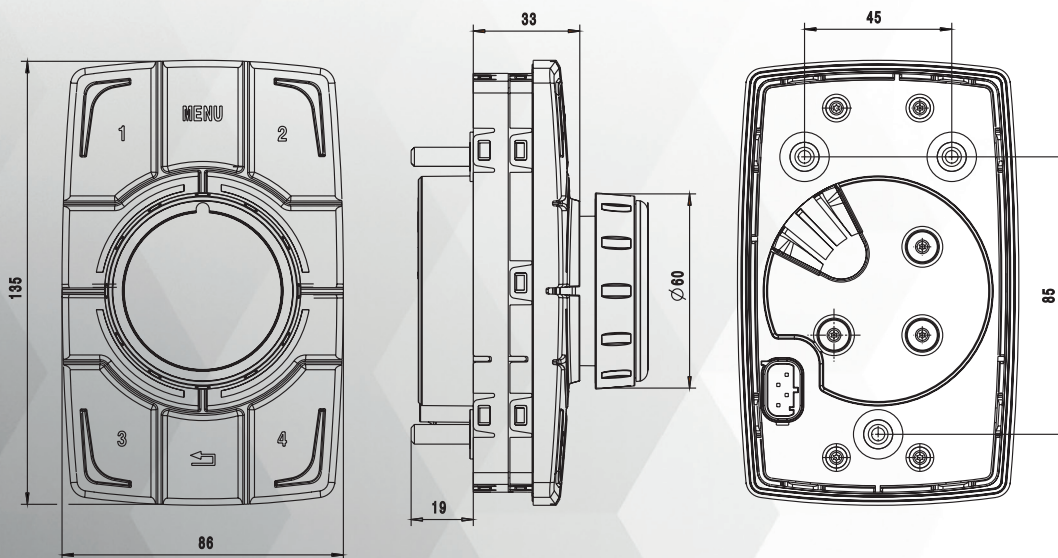
- Different CAN protocols (CANopen)
- Character recognition in rotary knob

VARIANTS

- Without corona illumination
- Corona illumination in rotary knob instead of keypad (IP 54)

DRAWINGS

(Dimensions in mm)



Pin no.	Circuit
Pin 1	CAN LO
Pin 2	CAN HI
Pin 3	GND
Pin 4	KL30