

# MAXIVAL®



## GENERAL DESCRIPTION

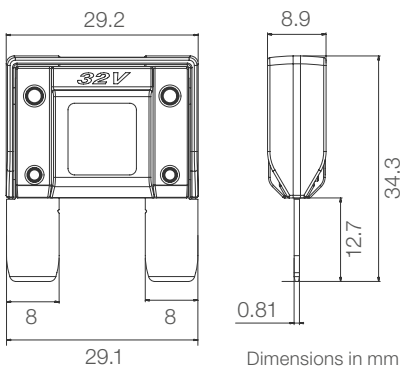
Breaking capacity	1000 A
Voltage rating	32 V
Ambient temp. + overheating	-40 °C to +125 °C
Body material	PA66-GF25
Cover material	See table below
Cover color	Transparent
Blade material	Zinc
Blade coating	Tin plated
Vibration class compliant with	ISO 16750-3 Test IV
Compliant with	ISO 8820-3 (type E) REACH, RoHS

## RATINGS

Size [A]	Color coding	Cover material	Expected voltage drop [mV]	ISO cable size [mm <sup>2</sup> ]	I <sup>2</sup> t* [A <sup>2</sup> s]	Average cold resistance** [mΩ]
20	Yellow	PSU	105	4.0	3000	4.0
30	Dark Green	PSU	95	4.0	7100	2.4
40	Orange	PSU	90	4.0	23000	1.5
50	Red	PSU	89	6.0	37000	1.2
60	Blue	PESU	84	6.0	54000	0.9
70	Beige	PESU	90	10.0	82000	0.9
80	White	PESU	83	10.0	25000	0.8
100	Violet	PESU	94	16.0	67000	0.7

\*Calculated from breaking capacity test  
\*\*At ambient temperature = 23 ±1 °C

## OVERALL DIMENSIONS



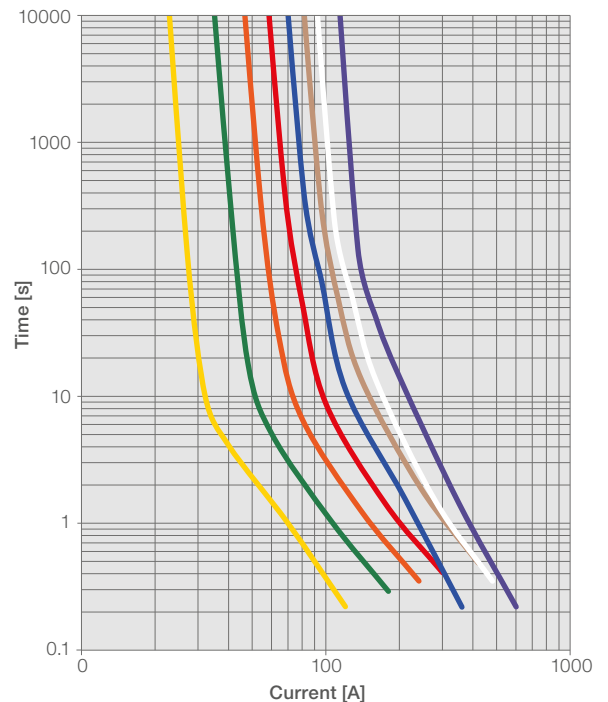
## MELTING TIME AND CURVE

Operating time limits:

% I <sub>R</sub>	Min [s]	Max [s]
100*	360000	∞
135*	60	600**
160	10	200
200	2	60
350	0.2	7
600	0.04	1

\*Not required for 100 A high current fuse links  
\*\*Less than ISO requirements (900 s)

Melting time graph at 23°C on test module ISO



## RERATING CURVE

