



EG Electronics

High Voltage Connector Series

EGE024HV2

EGE024HV2

2 2.4mm HV 024,2POS Connector



Specifications:

- Rated Voltage: 800V DC
- Rated Current: From 16A to 35A
- Temperature Range: -40°C~125°C
- Cable Range: 2.5mm², 4mm², 6mm²
- Shielding: 360° Shielding
- Mating Cycles: ≥ 100
- IP Class: IP67(Mated), IP6K9K
- Touch Proof: IP2XB
- Flame Class: UL94-V0 (Thermoplastic Plastics)
- Positions: 2 POS
- HVIL: Yes

Features and Benefits:

- 2.4mm
2.4mm Pin
- Various wire application
- Secondary lock function
- Excellent insulation
- 3 Keys position available
- High current carrier capacity

Applications:

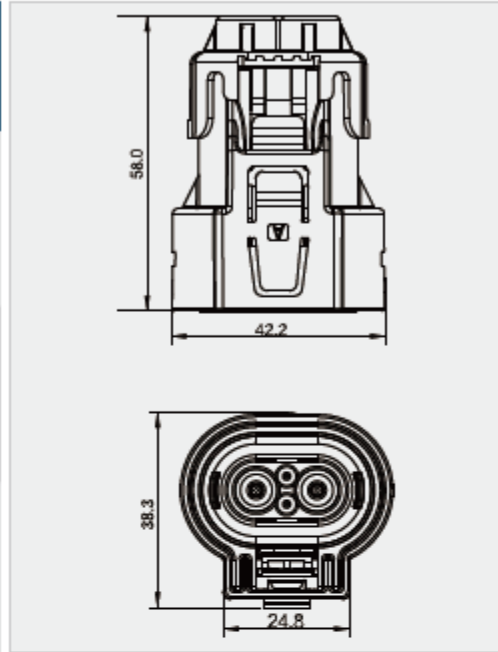
- PDU, DC/DC, PEU PDU, Air Conditioner, Charger, DC/DC, PEU, etc.

EGE024HV2

Order Information:

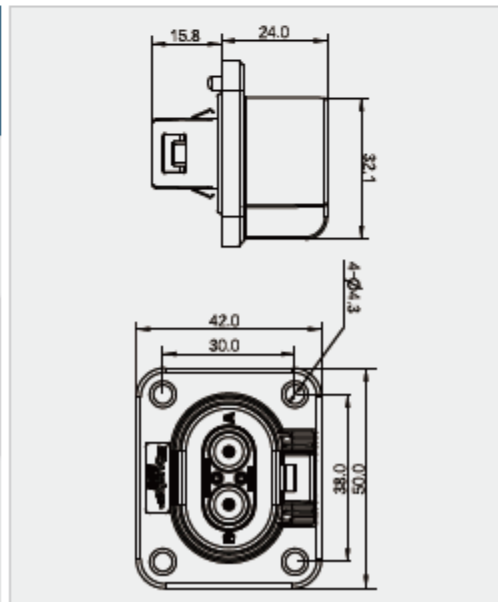
Plug:

Plug	Key	HVIL	Color	Wire Specification
HV1-PS024-2	A	L	A	-C02
	Y			-C03
	U			-C11



Header:

Header	Key	HVIL	Color	Wire Specification
HV1-RF024-2	A	L	A	-C02
	Y			-C03
	U			-C11





Sweden
Fagerstagatan 3
SE-163 53 Spånga
+46 8 759 35 70
sales@egelectronics.com

Finland
Kylvöpolku 6
FI-00680 Helsinki
+358 20 752 87 00
sales@egelectronics.fi

Germany
Lise-Meitner Strasse 21
72202 Germany
+49 7452 906 2508
sales@egelectronics.com

China
Room 507, Building 3, No 100
Lane 2891, South Quilians Road
Putuo District
CH-200331 Shanghai
+86 21 5213 0077
sales@egelectronics.com

Norway
Drammensveien 211
N-0281 Oslo
+47 23 25 46 00
sales@egelectronics.no

Denmark
WTC Ballerup, Borupvang 3
DK-2750 Ballerup
+45 43 43 50 00
sales.denmark@egelectronics.com

India
#9 Ganapathy Colony
Thiru Vi Ka Industrial Estate, Guindy
IN-600 036 Chennai
+91 40 4255 0814
sales@egelectronics.com

Others, please contact our Swedish office.

www.egelectronics.com